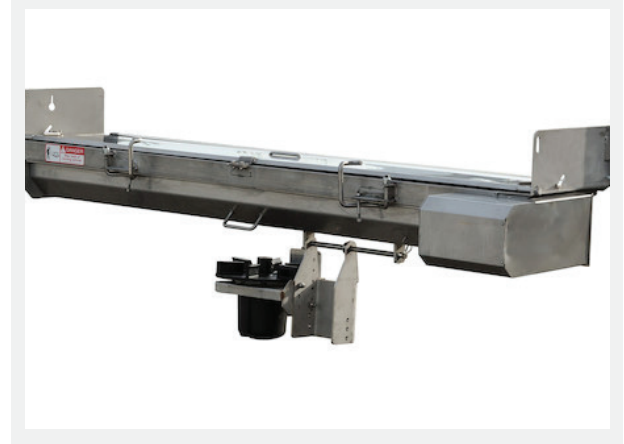


## SaltDogg Electric Under Tailgate Spreader Center Discharge-Stainless Steel

Buyers Part Number: 92441SSA

Buyers Products SaltDogg Electric Under Tailgate Spreader works with 96 in. wide dump bodies to spread bulk salt and 50/50 salt/sand mixes.

- Works with 96 in. wide dump bodies.
- Rugged 6 in. auger with 3/8 in. flighting.
- 12V DC-powered electric drive with independent conveyor and spinner motors.
- Handles bulk salt or a 50/50 sand/salt mix.
- 14 in. poly spinner can cast material up to 25 ft.
- Available with center or standard discharge.
- High-quality 304 stainless steel construction.
- Optional stainless steel spill shields.
- Heavy-duty, in-cab controller included.
- Made in the USA.



### Specifications

<b>Chute Primar Material</b>	304 Stainless Steel	<b>Chute Standard Adjustable Extended</b>	Adjustable Height
<b>Controller Type</b>	High Current Variable Speed	<b>Discharge Position</b>	Center
<b>Drive Motor Horse Power</b>	0.75 HP	<b>Drive Type</b>	Electric

## Specifications Continued

<b>Feed Mechanism</b>	Horizontal Auger	<b>Feed Mechanism2</b>	6 in. Auger with 3/8 in. Flighting
<b>Hopper Length</b>	25.00"	<b>Hopper Material</b>	304 Stainless Steel
<b>Hopper Width</b>	96.00"	<b>Included Cover</b>	Y
<b>Number of Motors</b>	2	<b>Overall Height</b>	31.25"
<b>Overall Length</b>	25.00"	<b>Overall Width (at top)</b>	96.00"
<b>Side Plate Height</b>	8.00"	<b>Spinner Diameter</b>	14.00"
<b>Spinner Material</b>	Polyurethane	<b>Spinner Motor Horse Power</b>	0.50 HP
<b>Spreading Width Range</b>	4 To 25'	<b>System Voltage</b>	12 VDC
<b>Top Screen</b>	Yes	<b>Vehicle Application</b>	Multiple Dump Body Configurations
<b>Vibrator Included?</b>	No	<b>Works with Bagged #1 Rock Salt</b>	Yes
<b>Works with Bulk Salt</b>	Yes	<b>Works with Bulk Sand</b>	No
<b>Works with Salt / Sand Mix</b>	Yes	<b>Shipping Weight</b>	575.005 lb

[WHERE TO BUY](#)